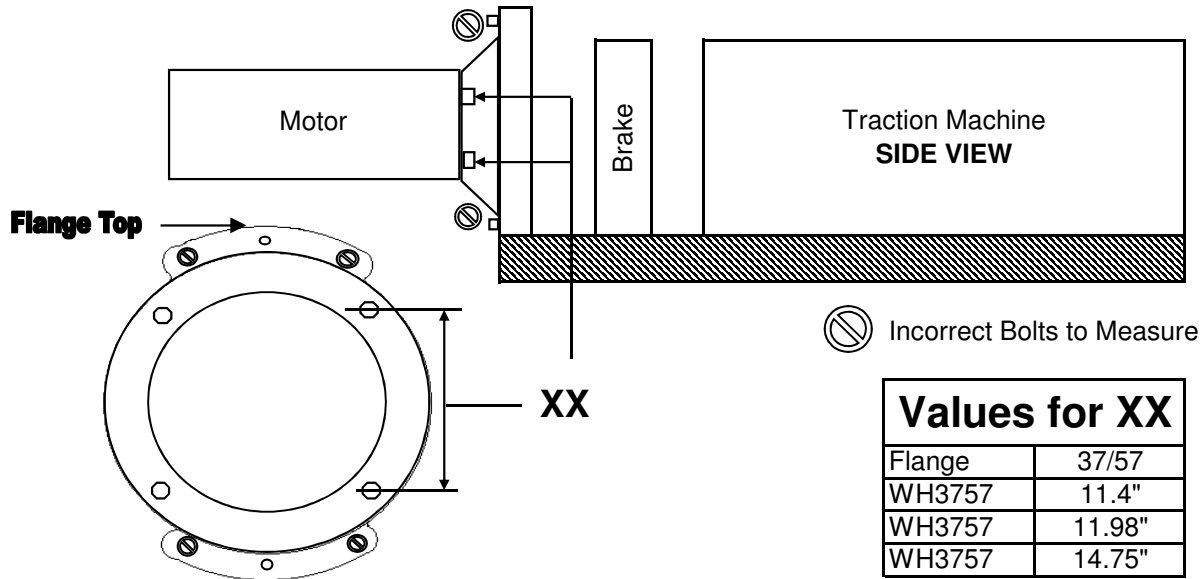




Imperial Electric[®]

A Kinetek Company[®]

Westinghouse 37, 57 Survey Form



Viewing Flange from Brake Side

1. Job Name:

2. XX Measurement: (Circle One)

11.4" 11.98" 14.75"

3. Machine Type and Style:

4. Machine Location: (Circle One)

Over Head Basement Side Mount

	Existing	New
Car Speed		
Car Capacity		
Motor HP		Imperial Electric To Confirm
Motor Voltage		
Motor Amps		Imperial Electric To Confirm
Type (AC/DC Shunt/Compound)		
Motor MFG		
Motor RPM		
Frame		
Serial Number		

CMB 05/29/2012