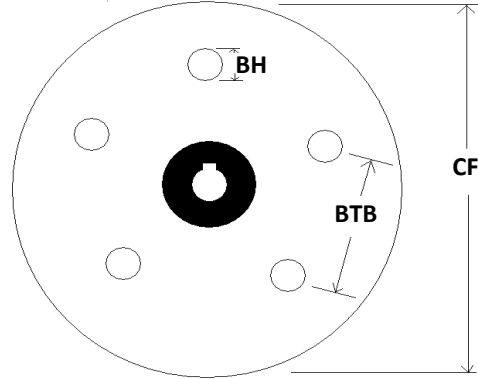
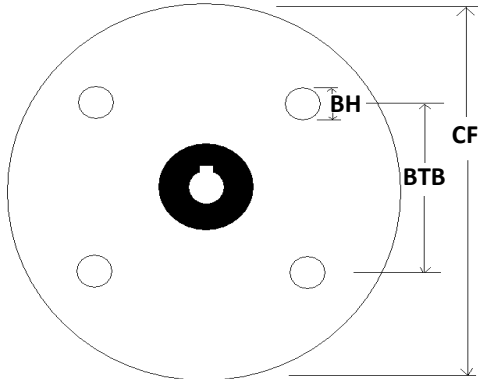




Imperial Electric[®]

A Kinetek Company[®]

Coupling Survey



Job Name: _____

Machine Type & Style: _____

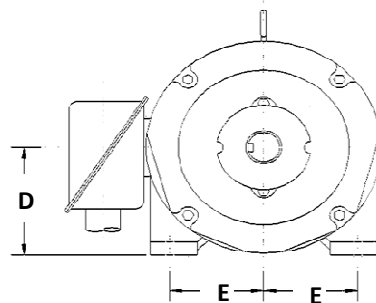
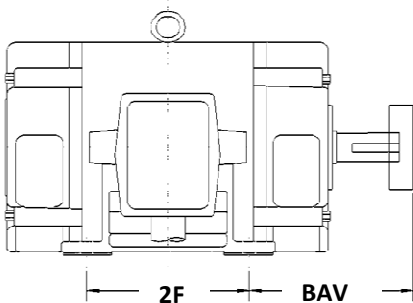
Dimensions:

Coupling Flange
 Diameter CF= _____
 Number of Mounting Bolts _____
 Bolt Size _____
 Bolt Hole Diameter _____
 Center Bolt to Center Bolt BTB= _____

Machine Location: Over Head
 Basement
 Side Mount

	Existing	New
Car Speed		
Car Capacity		
Motor HP		Imperial Electric To Confirm
Motor Voltage		
Motor Amps		Imperial Electric To Confirm
Type (AC/DC Shunt/Compound)		
Motor MFG		
Motor RPM		
Frame		
Serial Number		

Mounting Plates Survey



	Existing	New
BAV		
D		
2E		
2F		

CMB 05/18/2012